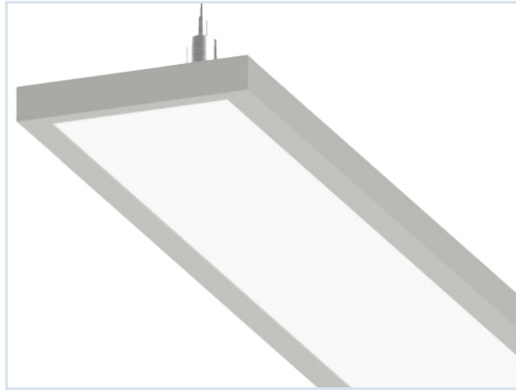




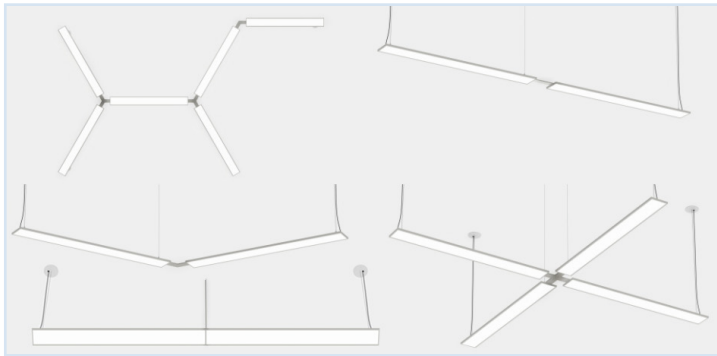
Project:	Type:
Item. No.	
Location:	
Notes:	

LumiLink Pendant

connectable linear lighting



fixed and adjustable connectors



specifications

electrical

- Input operating voltage: 120V, 277V
- Dimmable & non-dimming driver

lighting source

- Lamp type: LED with diffuser or clear lens
- Single LED color temperature: 3000K, 3500K, 4000K
- CRI >90

dimensions

- Standard length options: Nominal 2', 3', 4', 5', 6', 7', and 8'
- Standard Width options: 3 1/4", 5 1/4"

housing

- Finish: Black (BK) or White (WH)
- Custom finishes options available – Specify RAL color
- Construction: Aluminum

mounting/installation

- Mounting hardware provided
- Connectors: Fixed, adjustable
- Suspension aircraft cable: 36", 100" max

warranty

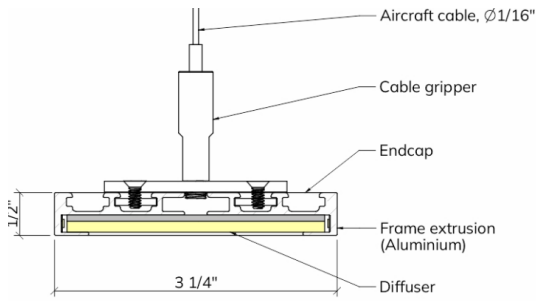
- 3 years

certification

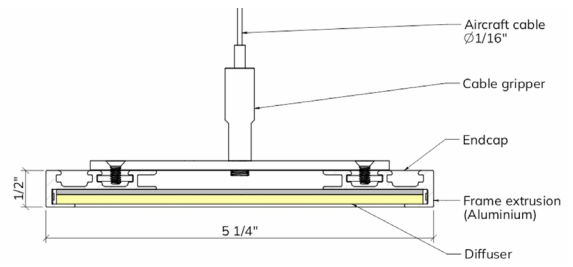
- CSA listed



LumiLink 3 Pendant



LumiLink 5 Pendant



LumiLink Pendant Configurations

