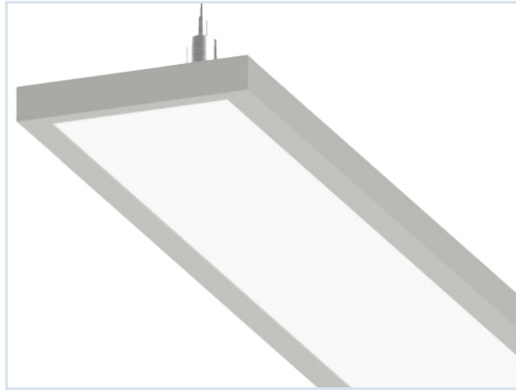




Project:	Type:
Item. No.	
Location:	
Notes:	

# LumiLink Pendant

*connectable linear lighting*



## specifications

### electrical

- Input operating voltage: 120V - 277V
- Output voltage: 24V
- Dimming & non-dimming options

### lighting source

- Lamp type: LED
- Single color temperature: 3000K, 3500K, 4000K
- CRI >90

### dimensions

- Standard length options: Nominal 2', 3', 4', 5', 6', 7', and 8'
- Standard Width options: 3 1/4", 5 1/4"

### housing

- Finish: Black (BK) or Silver (SV)
- Custom finishes options available - Contact factory
- Construction: Aluminum

### mounting/installation

- Connectors: Fixed, adjustable
- Suspension aircraft cable: 36", 100" max, other options available

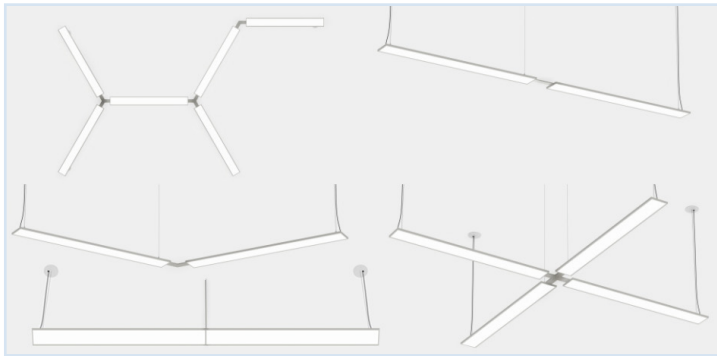
### warranty

- 3 years

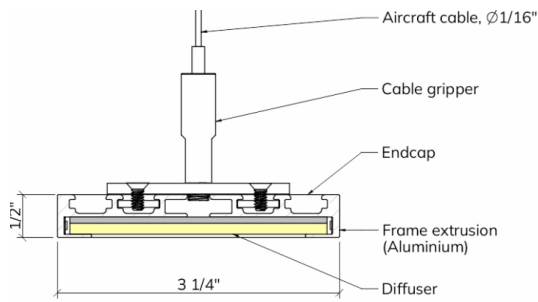
### certification

- cULus listed

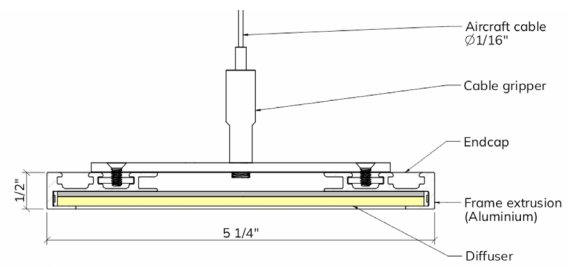
## various configuration options



**LumiLink 3 Pendant**



**LumiLink 5 Pendant**



**LumiLink Pendant Configurations**

